



NAME:

ADDRESS:

APT. NO.:

PHONE:

EMAIL:

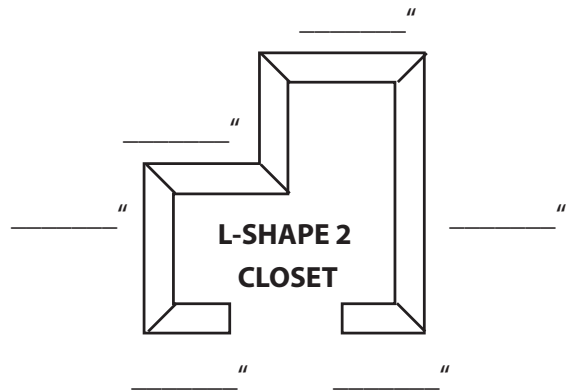
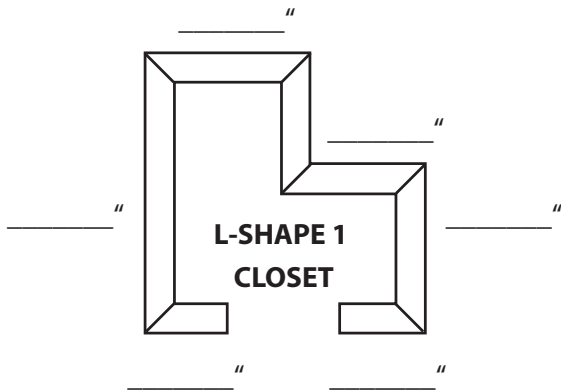
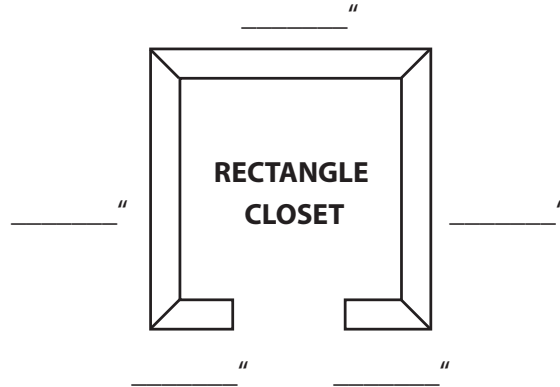
HOUSE _____ COOP _____ CONDO _____ APT. BUILDING _____

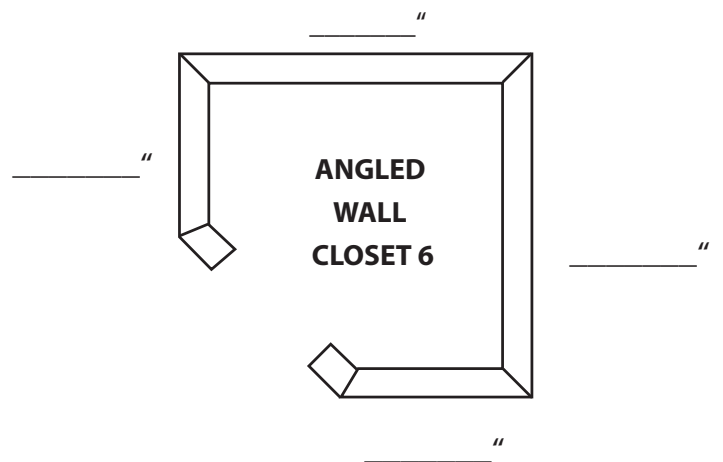
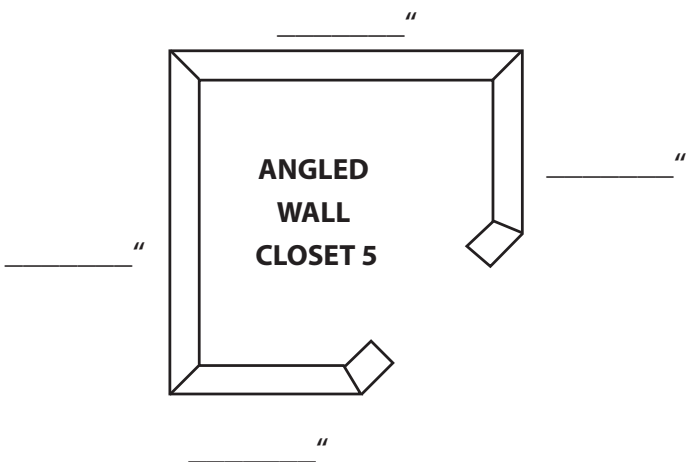
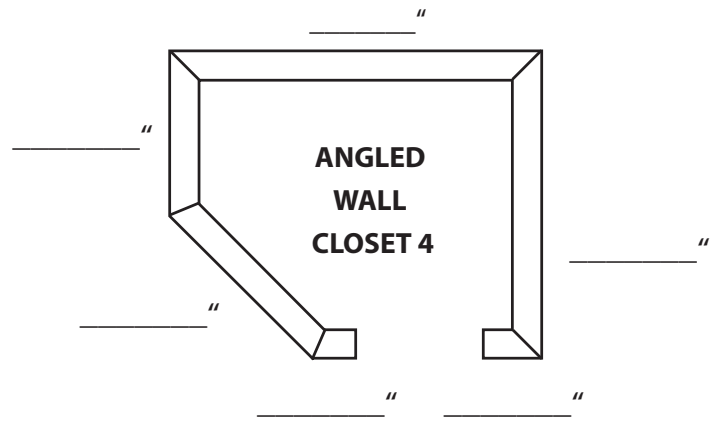
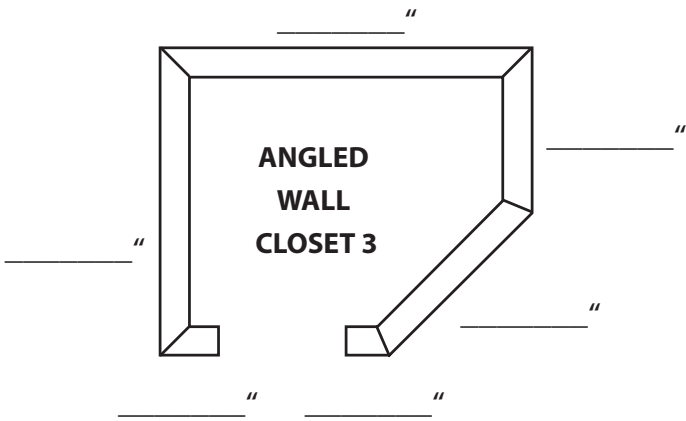
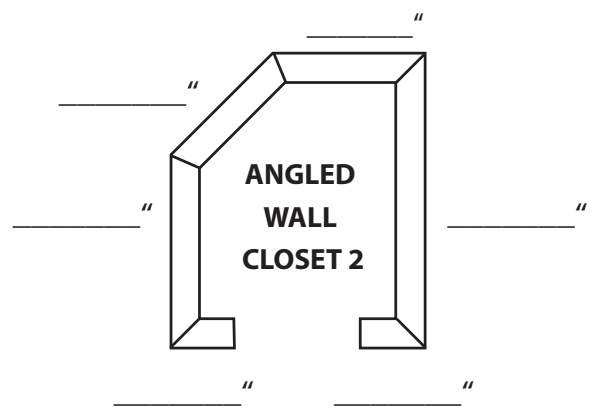
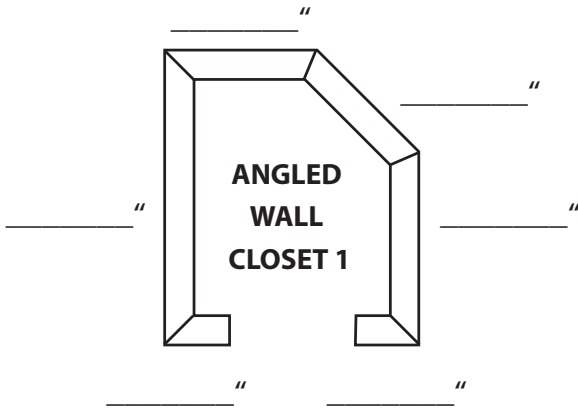
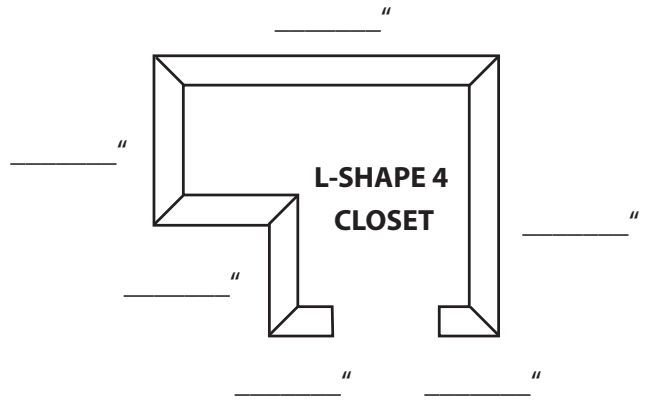
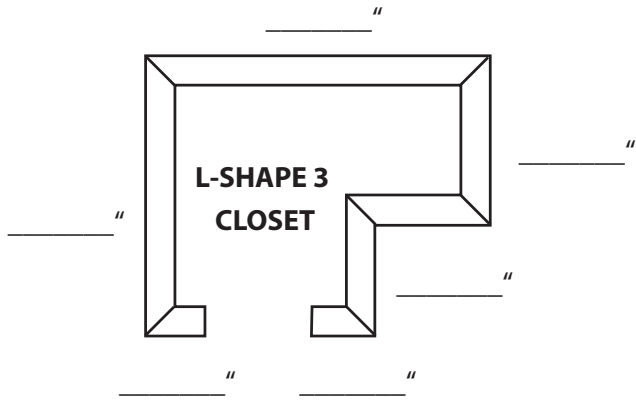
WALLS: WOOD STUD _____ METAL STUD _____ PLASTER _____ MASONRY (BRICK OR CONCRETE)

WALL HUNG SYSTEM _____ FLOOR BASED SYSTEM _____ TOTAL NUMBER OF CLOSETS

CEILING HEIGHT _____

SELECT CLOSET SHAPE AND PROVIDE MEASUREMENTS NEXT TO CHOSEN CLOSET





ROOM NAME: _____

WHO IS THE CLOSET FOR?

MAN _____ HEIGHT _____

WOMAN _____ HEIGHT _____

CHILD _____ AGE / HEIGHT _____ / _____

OTHER _____

TELL US WHAT FEATURES YOU WANT IN THE CLOSET:

DOUBLE HANGING:

INCHES OF CLOSET ROD SPACE NEEDED _____
(SHIRTS, PANTS FOLDED ON HANGER, SUITS/BLAZERS, SHORT SKIRTS)

LONG HANGING:

INCHES OF CLOSET ROD SPACE NEEDED _____
(DRESSES, PANTS (NON-FOLDED ON CLIP HANGER), LONG SKIRTS, COATS)

SHELVES / FOLDED CLOTHES # _____ INCHES

SHOES:

FLAT SHELVES-ADJUSTABLE # _____ PAIRS
EVERYDAY SHOES/LESS COSTLY

SLANTED SHELVES – NON-ADJUSTABLE # _____ PAIRS
FANCY SHOES/MORE COSTLY

SLIDE OUT WIRE BASKETS # _____

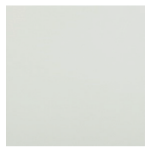
JEWELRY DRAWER W/BLACK VELVET TRAY # _____

DRAWERS # _____ **BELT RACK** # _____

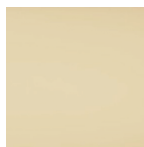
TIE RACK # _____ **VALET RODS** # _____

CLOSET ORGANIZER COLOR: _____

SOLID COLORS



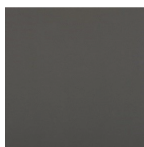
CLASSIC WHITE
Most Economical



IVORY

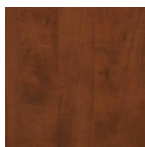


SUMMER DROPS

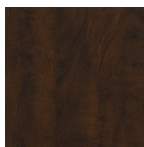


MOONLIGHT

WOOD TONE COLORS

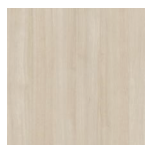


SUMMER FLAME



CHOCOLATE PEAR

WOOD GRAIN COLORS



FREE SPIRIT



SHEER BEAUTY



CHAMELEON

CLOSET ORGANIZER DRAWER STYLE: _____



FLAT
Most Economical



RAISED PANEL



SHAKER

CLOSET ROD/HANDLE FINISH: _____



POLISHED CHROME



BRUSHED NICKEL



BLACK

OTHER ACCESSORIES

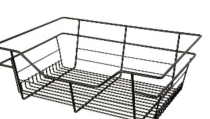
PULL OUT WIRE BASKETS WITH FULL EXTENSION SLIDES



POLISHED CHROME



BRUSHED NICKEL



BLACK

PULL OUT BELT RACKS



POLISHED CHROME



BRUSHED NICKEL



BLACK

PULL OUT TIE RACKS



POLISHED CHROME



BRUSHED NICKEL



BLACK

PULL OUT VALET RODS



POLISHED CHROME



BRUSHED NICKEL



BLACK

SHOE FENCE FOR ANGLED SHOE SHELVES



POLISHED CHROME



BRUSHED NICKEL



BLACK

JEWELRY TRAY IN BLACK VELVET

**JEWELRY NOT INCLUDED*

